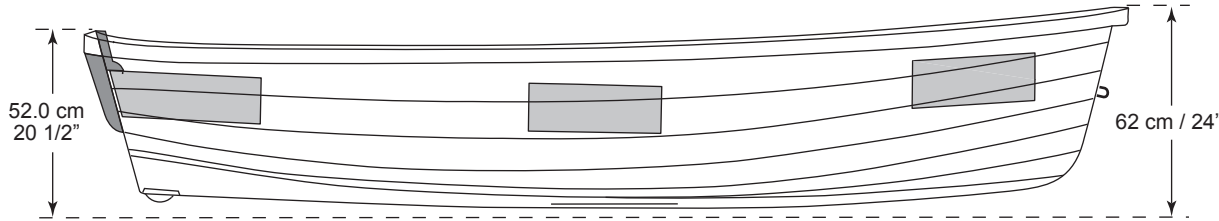


Walker Bay 10 (WB 10F)

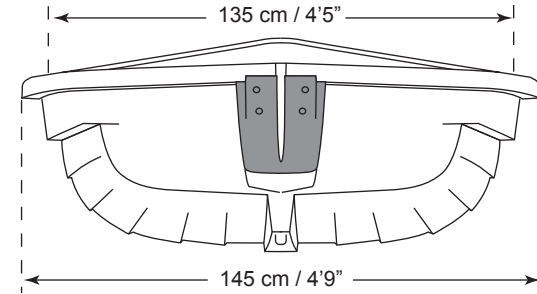
SPECIFICATIONS, MAXIMUM CAPACITIES & LIFTING POINTS



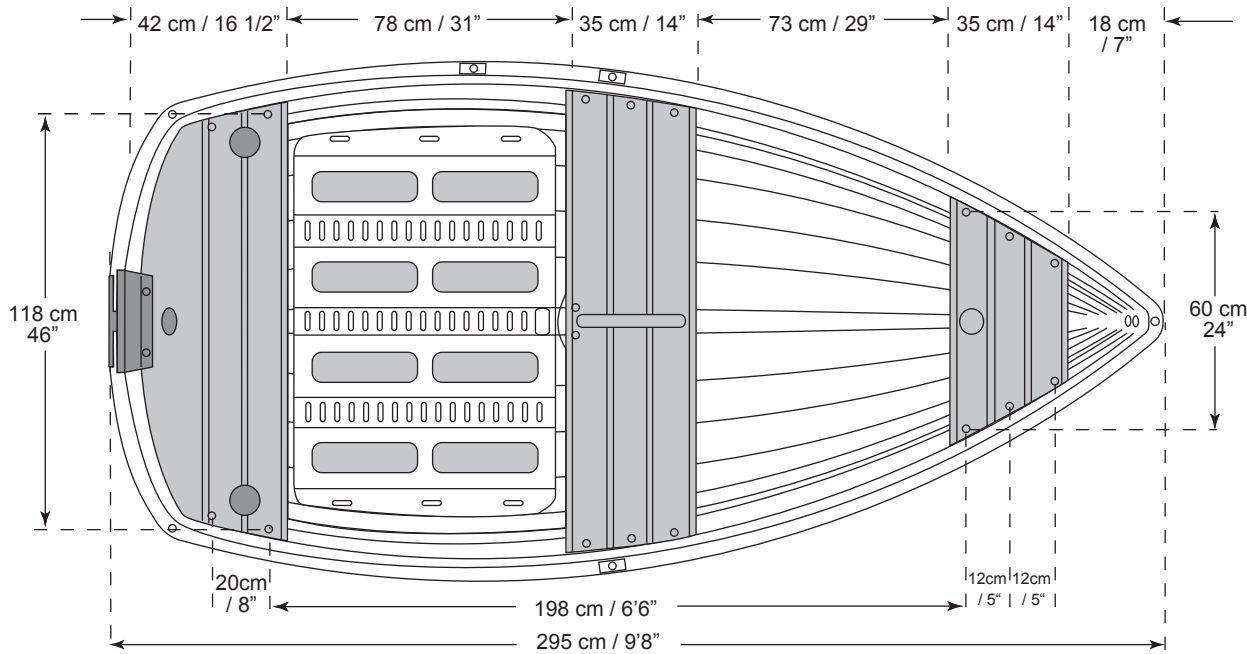
WALKER BAY



SIDE VIEW

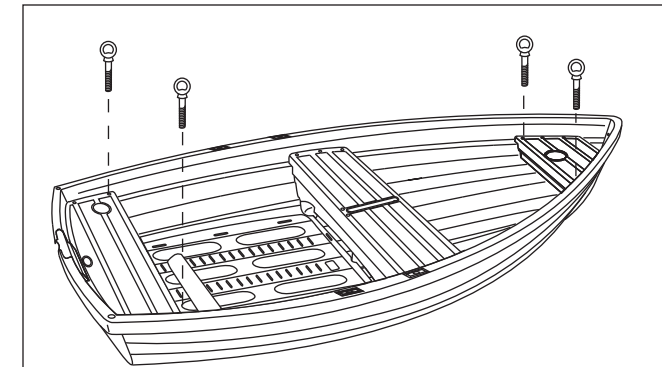


REAR VIEW



TOP VIEW

LIFTING POINTS



- Lifting eyes can be added quickly and easily to your Walker Bay 10.
- Simply replace 4 of the 1/4" #20 bolts securing the front and rear seats with 1-1/2" x 1/4" #20 stainless steel eye bolts (Eye bolts not included with boat).
- Make sure eye bolts are securely fastened.
- Check lifting eyes periodically to make sure they are securely fastened.

SPECIFICATIONS

MAXIMUM CAPACITIES

Tolerances +/- 3%

DESIGN CATEGORY (CE):	D	USA / USCG*	EUROPE / CE / ISO*	*Capacity rating formulas are different for Europe and the United States; therefore, Maximum Load, Maximum Persons Weight and Maximum HP are different. **Maximum speeds are estimates. Actual top speed will vary depending on type, make and model of motor and load in boat. The Walker Bay 8 and 10 hulls are displacement hulls, not planing hulls.	
WEIGHT:	57 kg / 126 lb	MAX LOAD:	449 lb		255 kg
OVERALL LENGTH (LOA):	295 cm / 9'8"	MAX PERSONS:	3		3
BEAM:	145 cm / 4'9"	MAX PERSONS WEIGHT:	409 lb		225 kg
INSIDE BEAM:	135 cm / 4'5"	MAX ENGINE POWER:	3 hp		3.6 kw
DEPTH:	62 cm / 2'	MAX SPEED** (KNOTS/MPH)	6-8kt / 7-9mph		6-8kt / 11-15kph
MOTOR SHAFT LENGTH:	Short (15")	MAX SAIL AREA:	50 ft ²	5 m ²	
DISPLACEMENT:	1025 kg / 2254 lb				

SPECIFICATIONS & COMPONENTS SUBJECT TO CHANGE WITHOUT NOTICE.